

Bubbler Classic Pro 1x18 lt, R290



**Ref: CC002V
(SR1522290NEMA)**

Cold beverage dispenser - Classic Pro Bubbler 1x18 lt, with new easy-off release bowl and high efficiency cooling system

General Features

CLASSIC PRO BUBBLER SR-15-22-290 is a cold drink premix dispenser, compact size, with 1x18 L capacity tank. The machine cools and dispenses ready-made drinks such as fresh juices, teas, cold brew coffee, cocktails, flavored water etc. The unique evaporator and the high efficiency system cool faster and more efficiently for a quick start-up. The superior engineering ensures a perfect temperature from the first to the last drop of dispensed product.

Two-piece dripless pouring valves are easy to use and clean.

Suitable for cups up to 22,9 cm.

New easy-off release bowl system, that makes dismantling easier and reduces cleaning time.

Drinks mix with a magnetic submerged impeller.

Agitators are provided with each unit.

Panels are in stainless steel.

OPTIONALS AVAILABLE:

- VALVE CAP: improves sealing of valve when using pulpy product
- FOUNTAIN SPRAY KIT: ideal to create a spectacular effect
- EXCLUSIVE AUTOFILL LID: retrofittable postmix Autofill Lid System increases consistency and exclude manual filling operations.

Bubbler Classic Pro 1x18 lt, R290

Specifications

- Agitation function for fresh juices, coffees, or teas with minimal foaming system.
- Easy-off bowl release system for faster and easier assembly and disassembly.
- User friendly design enables machine to dispense product till the very last drop.
- Suitable for cups up to 8 inch height (20 cm)

Construction

- Refrigerant type: R290.
- Pre-mix dispenser with stainless steel base and clear plastic bowls.
- Compact size of 27 cm wide saves valuable counter space.
- Fewer removable parts to simplify cleaning and reduce maintenance.
- Temperature range from 1.7 - 5° C.
- The air intakes from the bottom and exhaust to back.
- Pre-mix dispenser with stainless steel base and clear plastic bowls
- The unique evaporator and the high efficiency pump cool faster and more efficiently for a quick start-up
- Two-piece stainless steel dripless pouring valves are easy to use and clean
- Magnetic submerged impeller

Bubbler Classic Pro 1x18 lt, R290

Electric

Supply voltage:	220/240 V / 1N ph / 50/60 Hz
Electrical power max.:	0.43 kW
Current consumption:	1.5 Amps
Plug type:	NEMA 5-15

Key Information:

Number of bowls:	1
Bowl's capacity:	18 lt
Control board:	Mechanical
Dimensions, Width:	227 mm
Dimensions, Depth:	442 mm
Dimensions, Height:	670 mm
Net weight:	16.9 kg

Refrigeration Data

Refrigerant gas:	R290
------------------	------

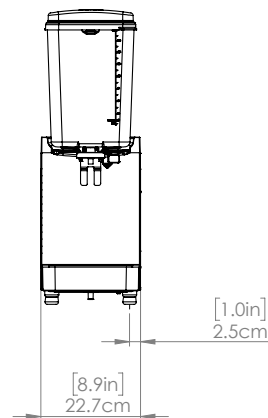
Certifications



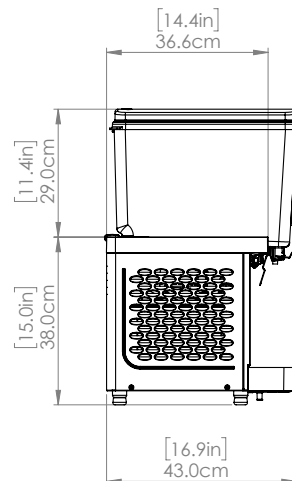
The company reserves the right to make modifications to the products without prior notice. All information correct at time of printing.

2026.06.16

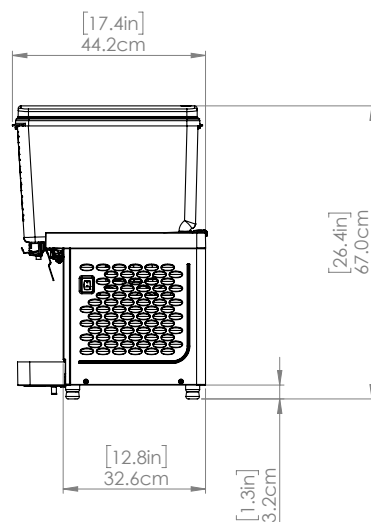
Front



Side



Distances



CRATHCO

www.crathco.drink-systems.com
infocrathco@electroluxprofessional.com